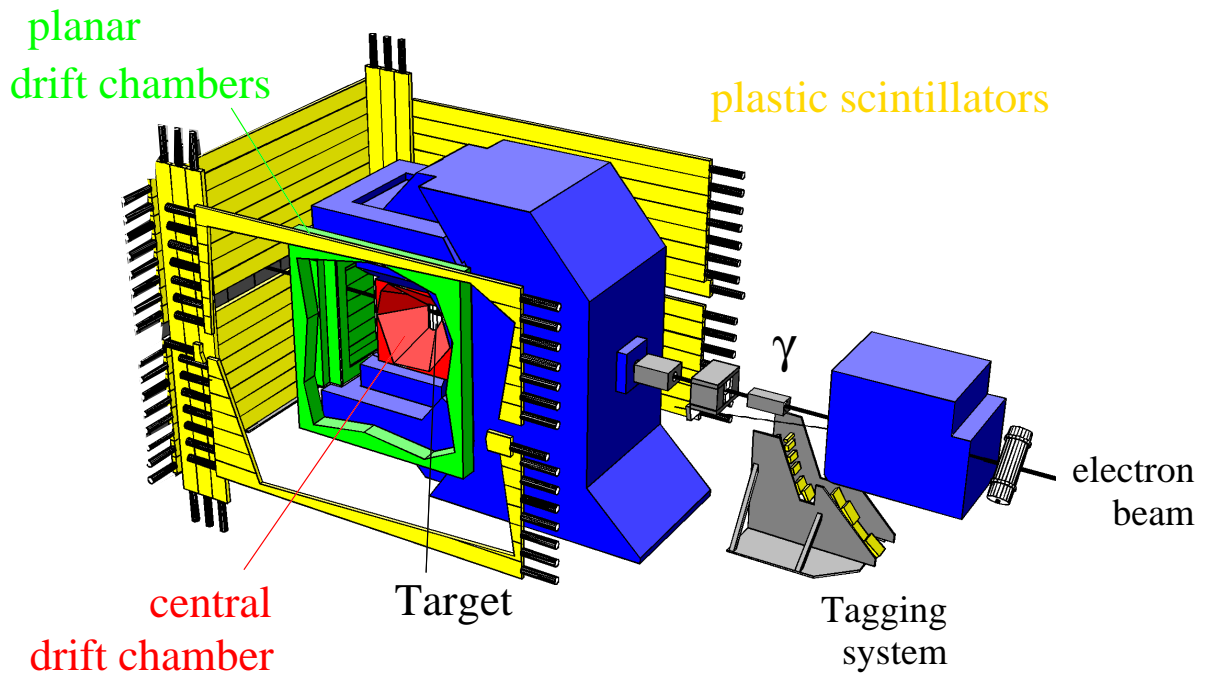
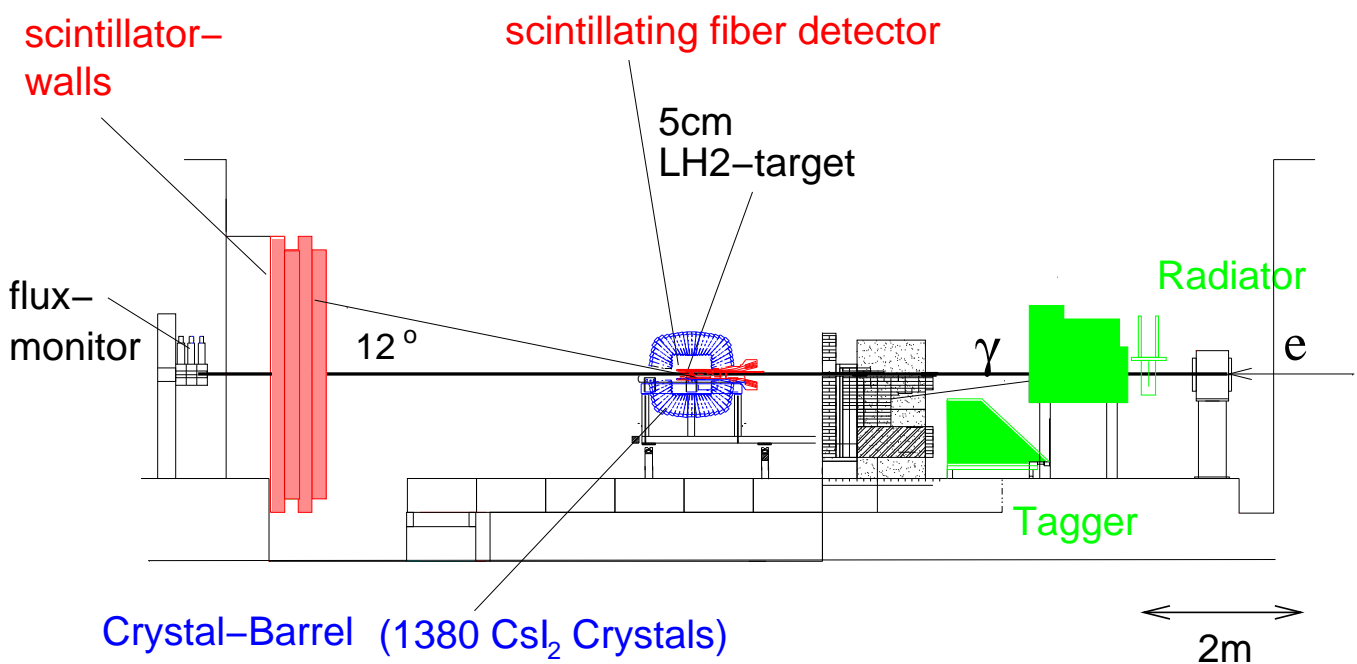


SAPHIR-spectrometer (→ 1999)



Crystal-Barrel-Calorimeter (2000→)



Crystal-Barrel (1380 Cs₂ Crystals)

$\delta E \sim 2.5\%$

$\delta\vartheta \sim \delta\phi \sim \pm 2^\circ$