

# Crossing Intrinsic Depolarizing Resonances in ELSA with Pulsed Betatron Tune Jump Quadrupoles

C. Steier, W. v. Drachenfels, F. Frommberger, M. Hoffmann, D. Husmann, J. Keil, Bonn University; S. Nakamura, T. Nakanishi, Nagoya University; H. Sato, T. Toyama, KEK

## Abstract

At the electron stretcher accelerator ELSA of Bonn University an external fixed target experiment using a polarized electron beam has been started. To provide a polarized beam with sufficient intensity a dedicated source for polarized electrons is used (with a GaAs-AlGaAs superlattice photocathode). To prevent depolarization during acceleration in the circular accelerators several depolarizing resonances have to be corrected for. One type of resonances (the intrinsic ones) are compensated using two pulsed betatron tune jump quadrupoles. This method is applied because adiabatic crossing techniques that became popular in proton accelerators in the last years cannot be used in an electron accelerator due to synchrotron radiation effects at higher energies.

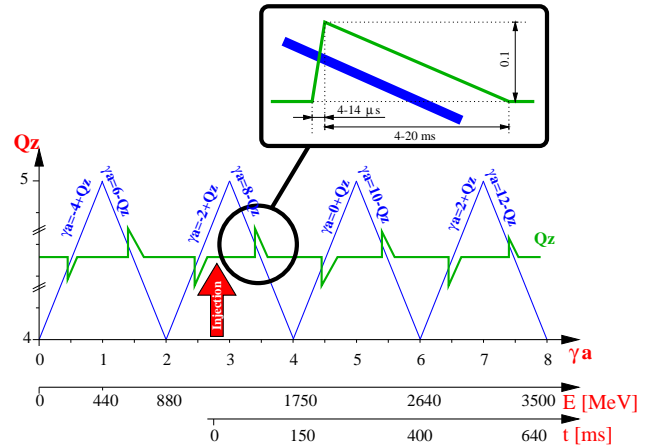


Figure 2: Fast tune jumping of all resonances in ELSA

## 1 INTRODUCTION

At ELSA[1] external fixed target experiments with longitudinally polarized electrons or circularly polarized photons (produced by Bremsstrahlung) are carried out. For this purpose a low energy polarized electron source is used. With a GaAs superlattice crystal a polarization level of about 66% at the source has been achieved [2]. The polarized electron beam is preaccelerated in a LINAC and a fast cycling booster (50 Hz). After injection into the main ring further acceleration up to 3.5 GeV is possible. The polarization of the extracted beam can be determined with a Møller polarimeter.

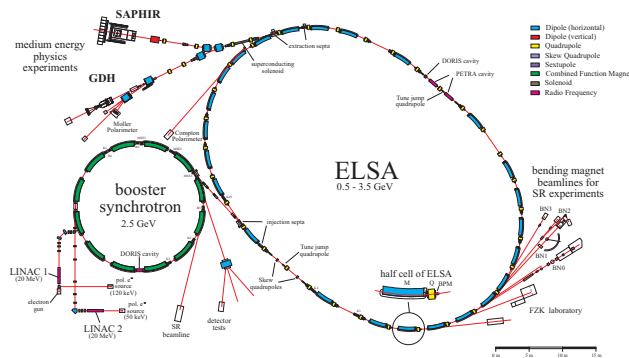


Figure 1: The ELSA facility at Bonn University.

In ELSA depolarization is caused mainly by intrinsic and imperfection resonances. The spin originally oriented perpendicular to the vertical accelerator plane precesses around the direction of the magnetic field in the bending magnets. Additional horizontal magnetic fields may cause

polarization loss in the case of a resonance with the spin precession frequency.

Intrinsic resonances are driven by the vertical betatron motion of the electrons, characterized by the vertical betatron tune  $Q_z$ .

Depolarization caused by the linear crossing of an isolated resonance is quantified by the Froissart-Stora-Formula [3].

$$\frac{P_f}{P_i} = 2e^{-\frac{\pi|\epsilon|^2}{2\alpha}} - 1 \quad (1)$$

In this formula the influence of synchrotron radiation is neglected, so it cannot be used for resonances at high energies in electron accelerators. Spin tracking studies show especially that a total spin flip ( $\frac{P_f}{P_i} = -1$ ) is there impossible.

Small polarization losses can be obtained for a small resonance strength  $\epsilon$  or a high crossing speed  $\alpha = \frac{\dot{\gamma} a \mp Q_z}{\omega_0}$  which can be achieved by fast shifting the vertical betatron tune  $Q_z$  for intrinsic resonances using pulsed quadrupoles.

For the resonances in ELSA an absolute tune shift of  $\Delta Q_z \approx 0.1$  is needed with a rise time of about 10  $\mu$ s. This tune jumping is illustrated in Fig. 2. Before crossing the resonance, the vertical betatron tune is shifted very fast by the tune jump quadrupoles.

## 2 TUNE JUMP MAGNETS

For ELSA a fast tune jump system was designed. It consists of two fast pulsed quadrupoles which can be pulsed up to 500 A in 5-15  $\mu$ s. These quadrupoles are of Panofsky

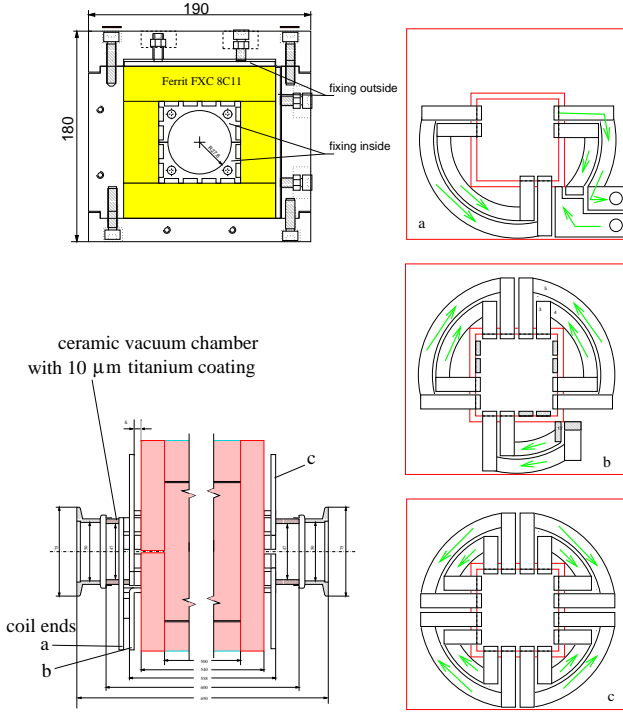


Figure 3: Design of the tune jump quadrupoles: the end cap design consisting of three layers (top), sectional and side view of the magnets (bottom).

type with square shaped ferrite yokes (see Fig. 3). Calculations for optimization of the design to achieve a low inductance have been applied. Therefore a special end cap design (a,b and c) was carried out. The vacuum chamber is made of  $\text{Al}_2\text{O}_3$  ceramics with a  $10 \mu\text{m}$  thin titanium coating on the inner surface. This coating shields the electromagnetic fields of the beam but does not distort the pulsed magnetic field.

The main parameters of the quadrupoles are:

resistance:	$(4.298 \pm 0.001) \text{ m}\Omega (=)$
inductance:	$(9.0 \pm 0.1) \mu\text{H} (=)$
max. pulse current:	500 A
max. field gradient:	$(1.1241 \pm 0.005) \text{ T/m}$ .

Because of the high resistance of the ferrites there are no significant eddy currents inside the yoke. Frequency dependencies of the impedance lead to a slight dispersion of the pulse shape which has to be compensated by the power supply.

### The Power Supplies

The pulse power supplies (one for each magnet) were constructed by PPT<sup>1</sup>. A schematic drawing is shown in Fig. 4.

The design concept is similar to the pulsed power supplies used for COSY in Jülich [7].

<sup>1</sup>Puls Plasma Technik, Dortmund

Each supply consists of three main components, which could be realized in semiconductor technology. First a 1 kV high voltage power supply charges a capacitor bank. The charging is controlled by a PLC (programmable logic controller). An insulated gate bipolar transistor (IGBT) connects the capacitor bank with the load. The IGBT is controlled by the PLC to generate a linear rising edge, which can be varied from 5 to 15  $\mu\text{s}$ .

The second part consists of a 50 V power supply and generates the falling edge. It is connected by a MOSFET switch to the load. The falling edge can be varied between 4 and 20 ms.

The third part is a H-bridge, necessary for polarity changes.

The PLC is connected by a VME computer to the control system of the accelerator.

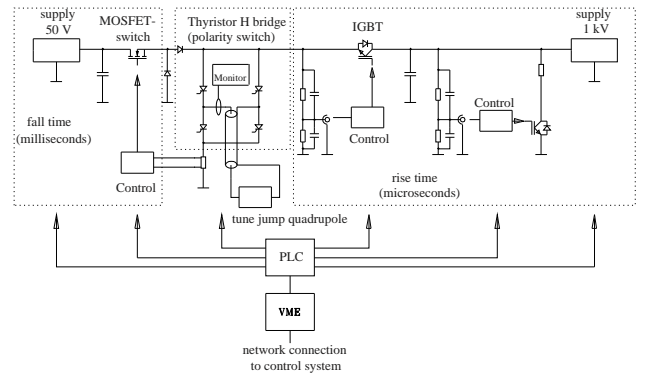


Figure 4: Schematic drawing of the pulsed power supplies

## 3 CALIBRATION AND MEASUREMENTS

Using a stored beam in ELSA the pulse amplitude of the tune jump magnets was calibrated by jumping onto a half integer betatron resonance ( $Q_z = 4.5$ ) from various distances with various pulse heights. The betatron tune was measured by analyzing the spectrum of the vertical beam oscillations. Jumping onto the resonance significant beam loss was observed, reducing the lifetime of the beam from 4 h to less than 10 min.

The measured value of  $\frac{\Delta Q_z}{\Delta I} = (1.77 \pm 0.08) \cdot 10^{-4} \text{ A}^{-1}$  at 2.3 GeV is in good agreement with the calculations.

Calculations and measurements concerning closed orbit distortions and emittance growth due to the change of the optical functions were carried out.[10]

Fig. 6 shows the maximum distortion of the closed orbit caused by a tune jump of  $\Delta Q_z = 0.1$  at 1.5 GeV during the energy ramp. The rise time of the pulse was 10  $\mu\text{s}$  and the fall time 20 ms.

The distortions are all smaller than 1 mm and can therefore be neglected.

The successful operation of the tune jump magnets was first tested on the intrinsic resonance at 2.0 GeV [10].

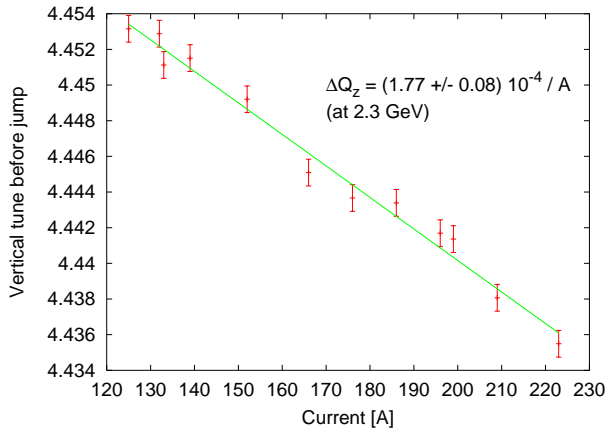


Figure 5: Calibration of the pulsed quadrupoles using a jump onto a half integer betatron resonance

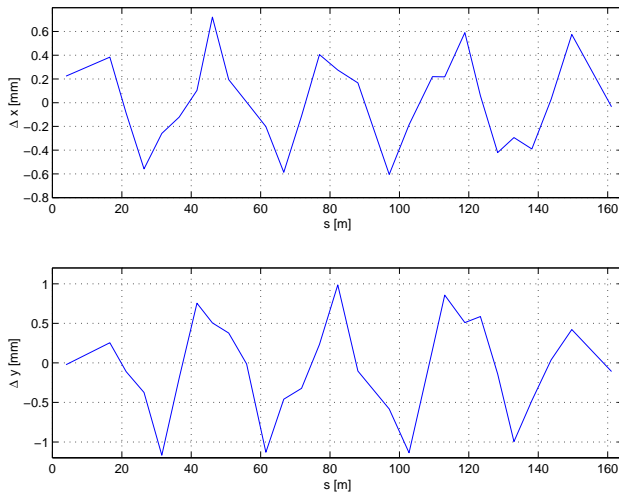


Figure 6: Distortion of the horizontal and vertical closed orbit during a tune jump without overall closed orbit correction

Without tune jump the resonance causes a depolarization of 25%. Using the pulsed quadrupoles the depolarization could be minimized to less than 2%. Variation of the trigger time of the tune jump magnets leads to the curve shown in Fig. 7. If the jump is triggered to early stronger depolarization could be observed, which is expected because the resonance crossing speed is lower on the falling edge of the pulse than without any pulse. The width of the optimum is determined by the pulse amplitude. A higher pulse amplitude broadens the maximum and therefore minimizes sensitivity to time shifts. However, too large amplitudes, may cause beam loss, because of jumping onto a neighbouring betatron resonance.

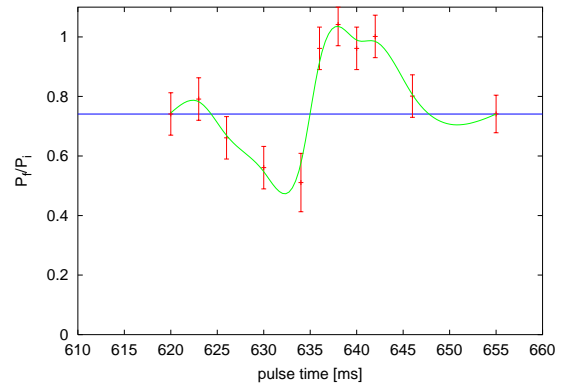


Figure 7: Jumping over the  $(0 + Q_z)$ -Resonance: Polarization dependency of the jump time. The pulse amplitude was -110 A with each magnet, corresponding to a  $\Delta Q_z = -0.0047$ .

## 4 SUMMARY

Polarized electrons have been produced and accelerated at ELSA. For crossing of intrinsic resonances a fast betatron tune jump magnet system has been installed. First measurements have shown, that the depolarization due to the strong intrinsic resonance at 2.0 GeV can be reduced to less than 2% with the tune jump magnets.

Further investigations will follow soon to adjust the trigger times to minimize the influence of the remaining intrinsic resonances. Together with a harmonic correction of the imperfection resonances in ELSA a polarized beam will be accelerated up to 3.2 GeV in near future.

## 5 REFERENCES

- [1] K.H. Althoff et al., Part. Acc. 27 (1990) 101
- [2] S. Nakamura et al., AIP Conf. Proc. 421, Urbana (1997) 497
- [3] M. Froissart and R. Stora, Nucl. Instr. & Meth. 7 (1960) 297
- [4] W. Brefeld et al., Nucl. Instr. & Meth. 228 (1985) 228
- [5] S. Nakamura et al., Nucl. Instr. & Meth. A 441 (1998) 93
- [6] C. Steier, D. Husmann, Proc. 1997 Part. Accel. Conf., Vancouver
- [7] A. Lehrach, PhD thesis, Jülich ,IKP-98-12-034 (1997)
- [8] T. Toyama, C. Steier et al., BONN-ME-97-01
- [9] M. Hoffmann, diploma thesis, BONN-IB-98-10
- [10] C. Steier, PhD thesis, BONN-IR-99-07 (1990)